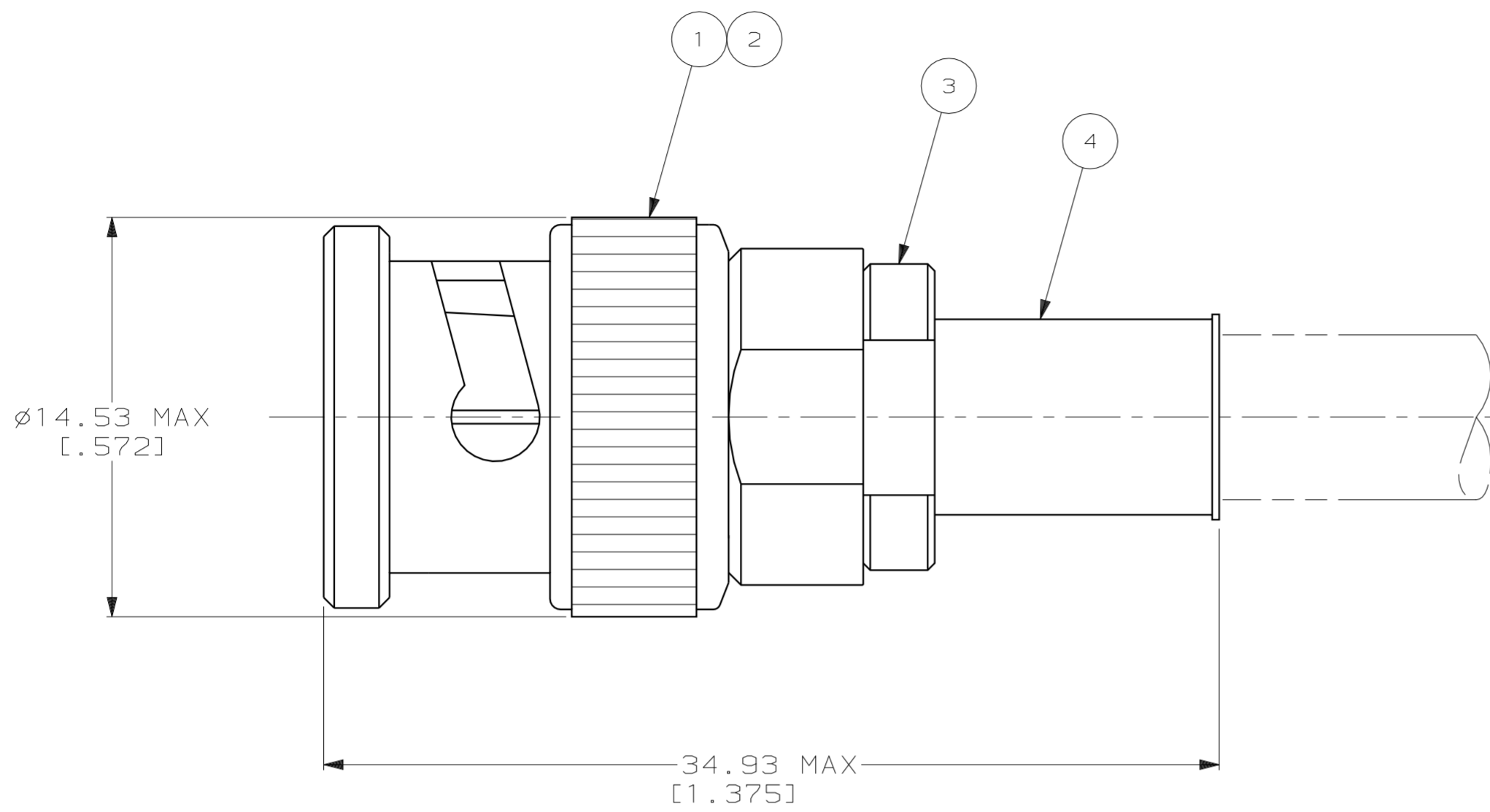
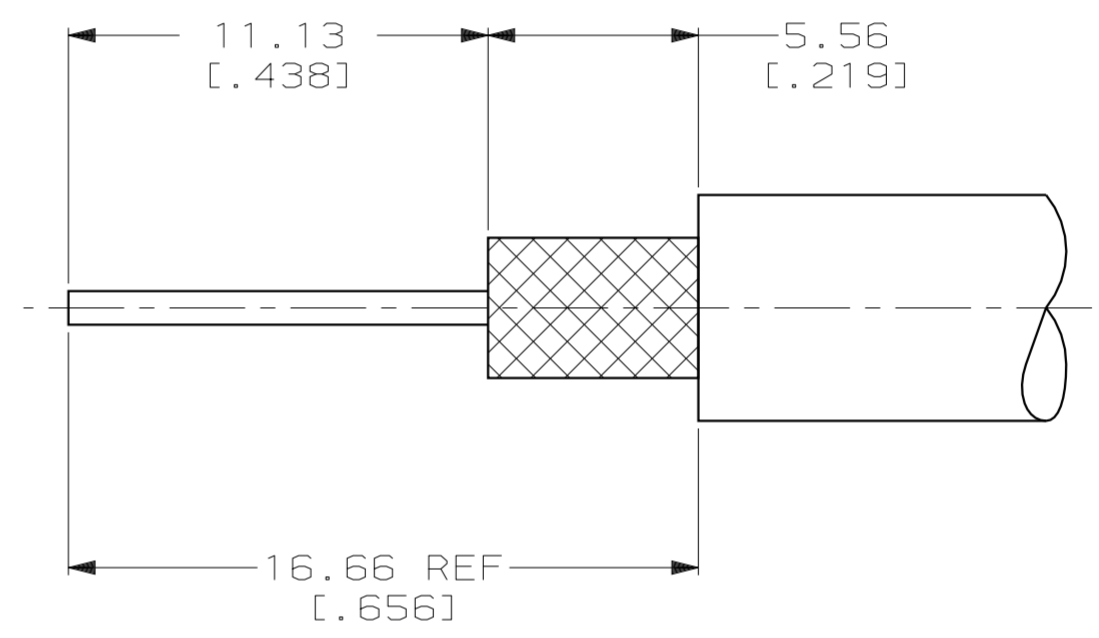


LOC		DIST		P		F		ZONE		LTR		REVISIONS		
AJ		16										DESCRIPTION	DATE	APPD
												OBSOLETE -22 PER 0E10-0130-99	13DEC99	MO



- 1. FOR CABLE: RG-59/U, 59A/U, 59B/U, 62/U, 62A/U, 62B/U, 124/U, 140/U, 210/U
- 2. USE INSTRUCTION SHEET 1799-1



RECOMMENDED STRIP LENGTH  
NO SCALE

OBSOLETE	-	-	-	-	-	-	-	7-329445-2
OBSOLETE	-	-	-	-	-	-	-	7-329445-1
OBSOLETE	RG-71/U, 71A/U, 71B/U	69141-2	329460	50780-3	2-329106-1	329804	2-329445-2	
	1	69141-1	329041	50780-3	2-329106-1	329804	2-329445-1	
SUPERSEDED BY 2-329445-1	-	-	-	-	-	-	329445	
	CABLE	CRIMP TOOL	4 FERRULE QTY=1	3 CRIMP END ASSEMBLY QTY=1	2 GASKET QTY=1	1 PLUG ASSEMBLY QTY=1	PART NUMBER	

DO NOT SCALE PRINT. UNLESS SPECIFIED DIMENSIONS IN mm [INCHES] TOLERANCES ON : 2 PLC DEC ± 0.41 [.016] 3 PLC DEC ± - ANGLES ± -	DR 14FEB96 MICHAEL E. COWHER	AMP Incorporated Harrisburg, PA 17105-3608		
MATERIAL -	CHK 15FEB96 FRANK P. MORANA			
FINISH -	APPD 15FEB96 FRANK P. MORANA	NAME		
	APPD 15FEB96 MICHAEL E. COWHER	PLUG, BNC		
	PRODUCT SPEC -	SIZE	CAGE CODE	DRAWING NO
	APPLICATION SPEC -	C	00779	329445
	WEIGHT -	SCALE	5:1	SHEET 1 OF 1